



A  
Bray  
High  
Performance  
Company

# Flow-Tek®

A Subsidiary of BRAY INTERNATIONAL, Inc.

## 2 Piece Threaded Full Port Ball Valves: 1/4" - 4"



Series 80

Flow-Tek's Series S80 ball valves have been designed to meet the needs of the chemical, textile and process industries. Standard 2-piece valve bodies are available in Stainless Steel. Stainless Steel bodies are investment cast and solution annealed for the highest quality and added strength. All body castings are marked with a foundry heat number for full traceability.

These quarter turn valves feature a full port design that minimizes pressure drops with smooth flow characteristics.

Other features include low operating torque, adjustable stem packing, blowout proof stems, and stainless steel safety latch handles.

**Pressure Rating** 1000 psi WOG

**Steam Rating** 150 psi WSP

**Temperature Range**

-50°F to +450°F

-46°C to +232°C

**End Connections** Threaded - NPT

**Body Material** Stainless Steel



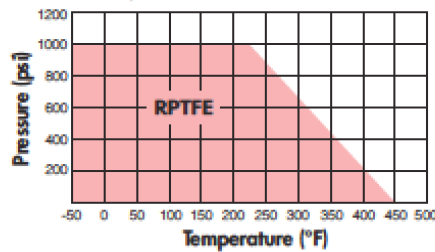
Jamieson Equipment Company  
www.jamiesonequipment.com  
toll free 800.875.0280

# Technical Data

## COMPONENTS AND MATERIALS

Item	Name	Stainless Steel	Qty.
1	Body	ASTM A351 Gr CF8M	1
2	End Cap	ASTM A351 Gr CF8M	1
3	Ball	SS316	1
4	Seat	RPTFE	2
5	Stem	ASTM A479 Type 316	1
6	Body Seal	RPTFE	1
7	Spring Washer	SS300	1
12	Thrust Washer	RPTFE	1
14	Stem Packing	RPTFE	2
15	Packing Gland	SS304	1
25	Handle	SS304	1
26	Handle Nut	SS304	1
28	Handle Sleeve	Vinyl	1
29	Locking Device	SS300	1

## PRESSURE/TEMPERATURE

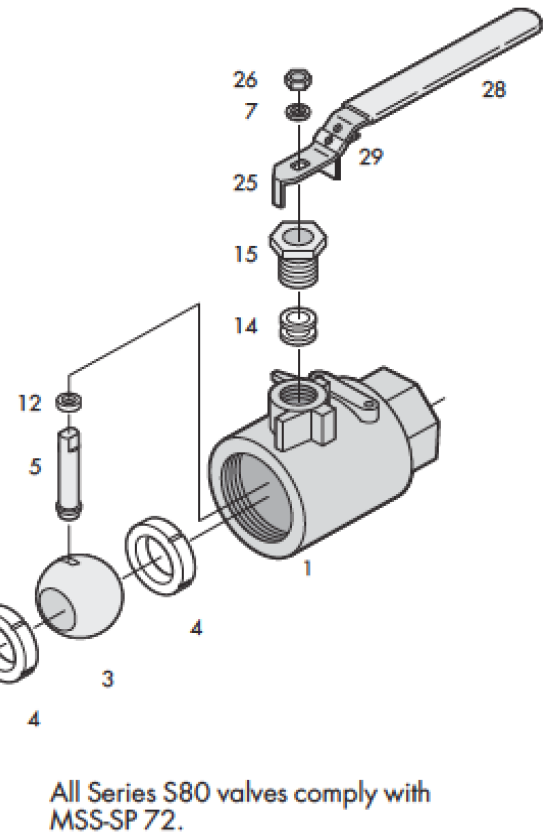


STEAM RATING:  
150 psi WSP

## DIMENSIONS AND WEIGHTS

Size ins mm	A	øB Port	C	C1	C2	D	E	F	Cv	Torque Weight	
										lbs-in* Nm	lbs kg
1/4 8	2.1 54	0.46 12	2.1 54	1.6 40	0.48 12.2	3.8 97	0.5 12.7	1.12 28.5	10	65 7.3	0.5 0.23
3/8 10	2.1 54	0.49 12.5	2.1 54	1.6 40	0.48 12.2	3.8 97	0.5 12.7	1.12 28.5	12	65 7.3	0.5 0.23
1/2 15	2.5 62.5	0.59 15	2.4 61	1.8 46	0.76 19.3	3.9 100	0.5 12.7	1.14 29	38	65 7.3	0.8 0.36
3/4 20	2.6 73	0.79 20	2.4 61	2.0 50	0.85 21.6	4.8 122	0.5 12.7	1.4 35	66	85 9.5	1.2 0.54
1 25	3.3 84.5	0.98 25	2.9 75	2.3 58	1.02 25.9	5.7 145	0.9 22.9	1.4 35	105	125 14.1	1.9 0.86
1 1/4 32	4 102	1.25 32	3.1 79	2.5 64	1.20 30.5	5.9 150	0.9 22.9	1.5 38	190	230 26	2.5 1.1
1 1/2 40	4.3 110	1.50 38	3.3 84.5	3.0 75	1.47 37.4	7.2 182	0.9 22.9	1.5 38	275	300 33.9	4.0 1.8
2 50	4.8 122.5	2.00 50	3.8 96	3.3 85	1.71 43.4	7.2 182	0.9 22.9	1.5 38	480	365 41.2	6.5 2.95
2 1/2 65	6.2 158	2.50 65	5.0 126	4.5 115	2.20 55.9	9.8 250	1.4 35.6	2.2 55	797	650 73.4	11.3 5.13
3 80	7.2 183	3.00 80	5.3 135.5	5.1 130	2.97 75.4	9.8 250	1.4 35.6	2.2 55	1210	765 86.4	16.9 7.7
4 100	8.8 225	4.00 100	6.1 156	5.8 148	3.40 86.4	14.4 365	1.4 35.6	2.2 55	2055	3000 339	33.2 15.1

Note: dual mounting pads for 2 1/2", 3" and 4".



All Series S80 valves comply with MSS-SP 72.

All valves are tested in accordance with MSS-SP 72.

Vacuum Service to 29 inches Hg. gauge.

